

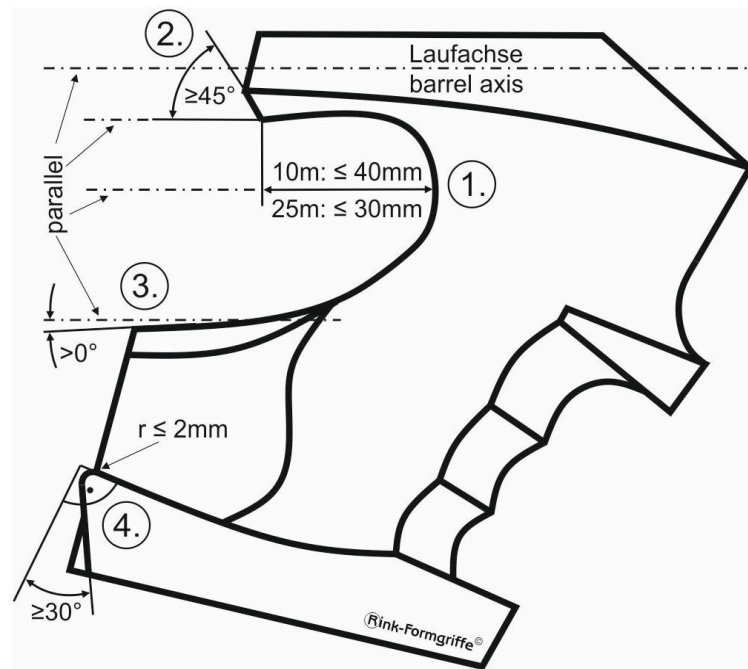
# New ISSF rules for pistol grips

Supplementary rules for the design of pistol grips in international competitions (ISSF) have come into force as of January 1st 2026!

These will likely be adopted by national shooting sports associations in the foreseeable future, provided they prove successful.

[Original ISSF rules \(pistol in chapter 8, from page 347\).](#)

[Rules knowledge from Rink-Formgriffe](#)



Essentially, there are four additions:

1. On 10m-disciplines, the "horn" below the rear sight may only be 40 mm long (like at 25m-disciplines 30mm).
  2. On 10m- and 25m-disciplines, the trailing edge of this "horn" may only be at an angle of 45° or more, measured parallel to the barrel axis.
  3. On 10m- and 25m-disciplines, the end of the thumb ball edge may only be angled downwards (measured parallel to the barrel axis). **Caution:** A flat adjusted grip angle (if the pistol allows it) can lead to a rule violation!
  4. On 10m- and 25m-disciplines, the trailing edge of the palm rest may only be at an angle of 30° or more, measured perpendicular (right angles) to the end of the palm rest.
- With an [additional explanation](#), the radius of the trailing edge was limited to ≤2mm.



## Further rules:

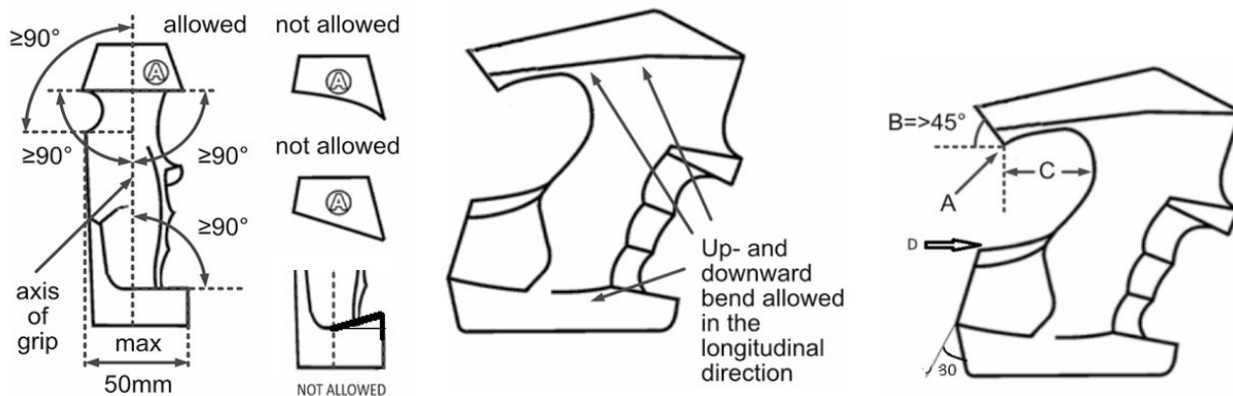
According to the [ISSF rules chapter 8.12 page 373](#), air pistols and sport pistols must fit in a [corresponding test box/ measuring box!](#)

In [chapter 8.4 from page 349 of the ISSF pistol rules](#) are drawing for the grip rules. All regulations for the pistol disciplines are described on it.

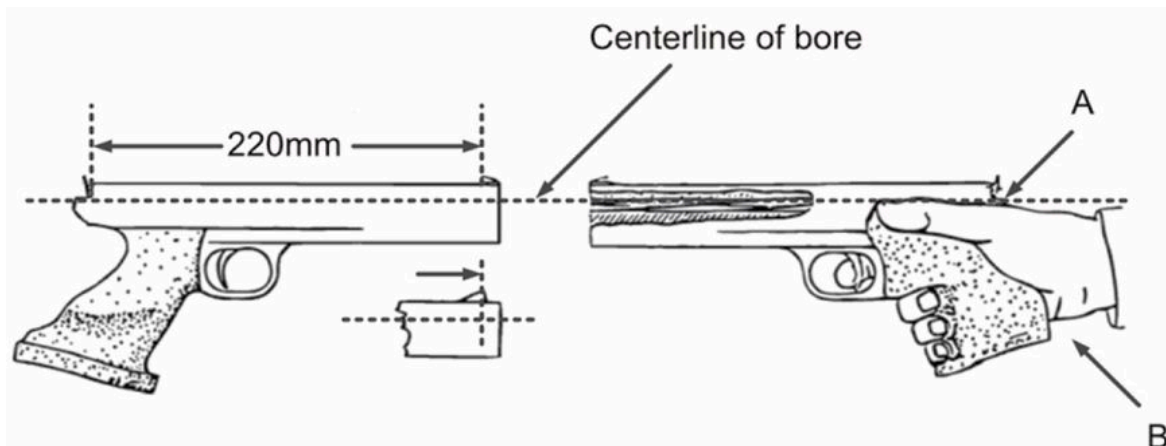
The left figure shows that, viewed from behind, the lower edges of the grip must not be raised and the upper edges must not be bent downwards. The grip axis serves as the reference line.

Unfortunately, this is not defined more precisely.

We interpret it as follows: "*Viewed from the rear, the grip axis is the axis of symmetry between the inner flanks of the grip mount. At two-part grips for example the seam between the grip halves.*"



The middle sketch shows that seen from the side, the contours of the hand shape may be adapted. The right drawing is a failed attempt to present the new rules!



At the left drawing is regulated the sight length at 25m disciplines to 220mm.

The right drawing shows that the axis of the barrel must run over the bend (the tissue) between the thumb and forefinger in the shooting position.

